

DENSO WRAPPING MACHINE - SMALL

Manual Wrapping Tool

Description

Denso Wrapping Machine - Small is a tool which allows cold-applied Denso Butyl Tapes to be spirally wrapped around pipes and bends.

Uses

Tool suitable for tape wrapping on straight pipes, bends, weld joints as well as for steel pipe DN 50 – DN 250, factory coated with PE or other plastic materials.

Features

- Allows the easy application of tape by hand
- Ensures uniform wrapping tension
- Ensures the required overlap width
- Suitable for tape width up to 100 mm

Application

Refer to Denso Wrapping Machine - Small Installation Guide. The tool is usable where the distance between the pipeline and the trench wall / trench bottom is 30 cm minimum.



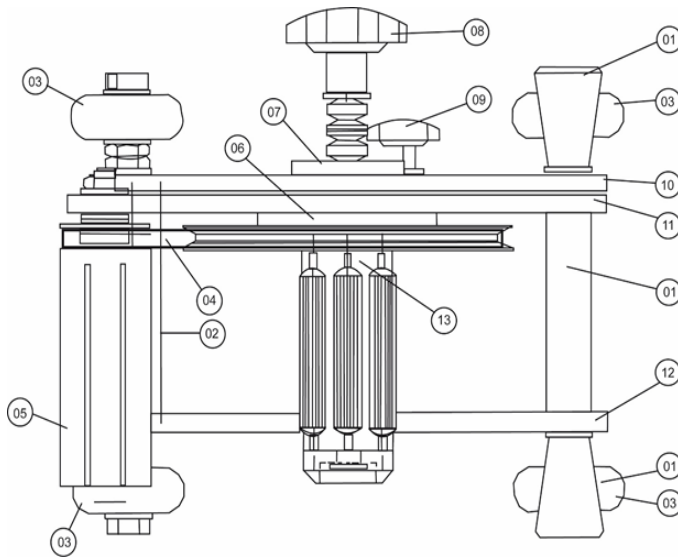
Denso Wrapping Machine - Small

Property Specifications

PROPERTIES

VALUE

Internal core size	42 mm
Maximum width of roll	100 mm
Maximum roll core size	150 mm



Pos. Item

- 1 Handle construction kit
- 2 Frame construction kit
- 3 Wheel construction kit
- 4 Round pinion lace
- 5 Separation foil carrier
- 6 Brake lining
- 7 Ball bearing with hull
- 8 Brake handle
- 9 Overlapping setup
- 10 Frame ball bearing
- 11 Frame brake
- 12 Frame opposite
- 13 Tape roll carrier



DENSO (AUSTRALIA) PTY LTD

77 - 95 National Boulevard

Campbellfield, VIC 3061

Tel: +61 3 9356 7600

Fax: +61 3 9356 7699

www.densoaustralia.com.au

A Member of the Winn & Coales International

The information given on this sheet is intended as a general guide only and should not be used for specification purposes. We believe the information to be accurate and reliable but do not guarantee it. We assume no responsibility for the use of this information. Users must, by their own tests, determine the suitability of the products and information supplied by us for their own particular purposes. No patent liability can be assumed.