

# **DENSO WRAPPING MACHINE - STANDARD**

## **Manual Wrapping Tool**

### **Description**

Denso Wrapping Machine - Standard is a tool which allows cold-applied Denso Butyl Tapes to be spirally wrapped around pipes and bends.

### **Uses**

Tool for allowing tape wrapping on straight pipes, bends, weld joints as well as for steel pipe DN 250 – DN 1400, factory coated with PE or other plastic materials.

### **Features**

- Allows the easy application of tape by hand
- Ensures uniform wrapping tension
- Ensures the required overlap width
- Suitable for tape width up to 150 mm

### **Application**

Refer to Denso Wrapping Machine - Standard Installation Guide. The tool is suitable where the distance between the pipeline and the trench wall / trench bottom is 40 cm minimum.



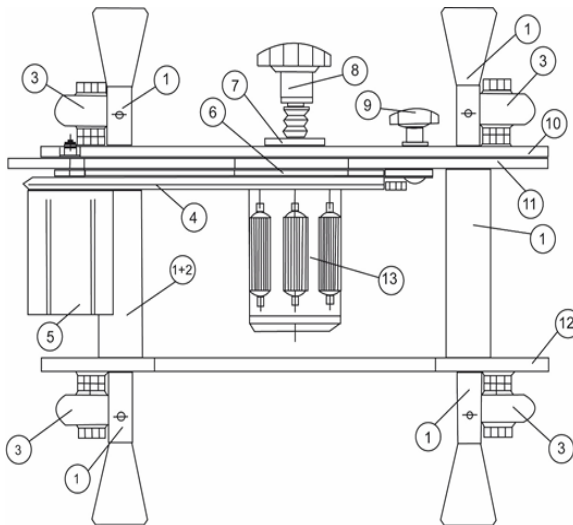
# Denso Wrapping Machine - Standard

## Property Specifications

### PROPERTIES

### VALUE

Internal core size	76 mm
Maximum width of roll	150 mm
Maximum roll core size	250 mm



### Pos. Item

- 1 Handle construction kit
- 2 Distance tube
- 3 Wheel construction kit
- 4 Round pinion lace
- 5 Separation foil carrier
- 6 Brake lining
- 7 Ball bearing with hull
- 8 Brake handle
- 9 Overlapping setup
- 10 Frame ball bearing
- 11 Frame brake
- 12 Frame opposite
- 13 Tape roll carrier



**DENSO (AUSTRALIA) PTY LTD**

77 - 95 National Boulevard

Campbellfield, VIC 3061

Tel: +61 3 9356 7600

Fax: +61 3 9356 7699

[www.densoaustralia.com.au](http://www.densoaustralia.com.au)

***A Member of the Winn & Coales International***

The information given on this sheet is intended as a general guide only and should not be used for specification purposes. We believe the information to be accurate and reliable but do not guarantee it. We assume no responsibility for the use of this information. Users must, by their own tests, determine the suitability of the products and information supplied by us for their own particular purposes. No patent liability can be assumed.